

5C Collets

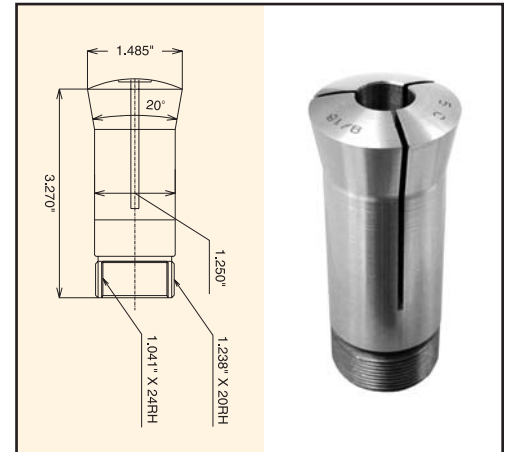
All 5C collets (except 5C Step Collets) have external and internal threads.

5C Round Collets

INCH					
Part Number	Size	Part Number	Size	Part Number	Size
500-003	3/64"	500-028	7/16"	500-053	53/64"
500-004	1/16"	500-029	29/64"	500-054	27/32"
500-005	5/64"	500-030	15/32"	500-055	55/64"
500-006	3/32"	500-031	31/64"	500-056	7/8"
500-007	7/64"	500-032	1/2"	500-057	57/64"
500-008	1/8"	500-033	33/64"	500-058	29/32"
500-009	9/64"	500-034	17/32"	500-059	59/64"
500-010	5/32"	500-035	35/64"	500-060	15/16"
500-011	11/64"	500-036	9/16"	500-061	61/64"
500-012	3/16"	500-037	37/64"	500-062	31/32"
500-013	13/64"	500-038	19/32"	500-063	63/64"
500-014	7/32"	500-039	39/64"	500-064	1"
500-015	15/64"	500-040	5/8"	500-065*	1-1/64"
500-016	1/4"	500-041	41/64"	500-066*	1-1/32"
500-017	17/64"	500-042	21/32"	500-067*	1-3/64"
500-018	9/32"	500-043	43/64"	500-068*	1-1/16"
500-019	19/64"	500-044	11/16"	500-069*	1-5/64"
500-020	5/16"	500-045	45/64"	500-070*	1-3/32"
500-021	21/64"	500-046	23/32"	500-071*	1-7/64"
500-022	11/32"	500-047	47/64"	500-072*	1-1/8"
500-023	23/64"	500-048	3/4"	560-001B	5C Brass collet has 1/16" pilot hole
500-024	3/8"	500-049	49/64"	560-001S	5C Steel emergency collet has 1/16" pilot hole and hardened threads
500-025	25/64"	500-050	25/32"		
500-026	13/32"	500-051	51/64"		
500-027	27/64"	500-052	13/16"		

* Collet has stepped internal diameter and cannot be used for bar feed work.

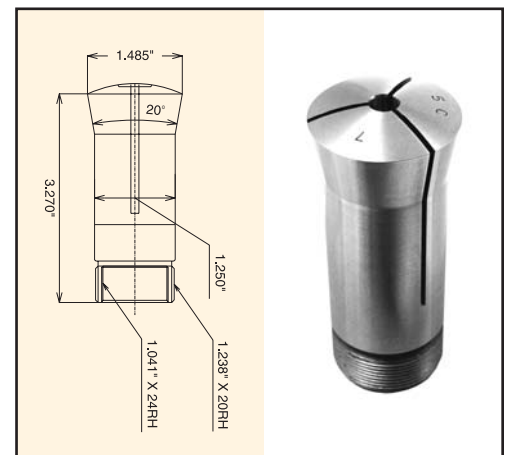
METRIC					
Part Number	Size	Part Number	Size	Part Number	Size
520-003	3mm	520-011	11mm	520-019	19mm
520-004	4mm	520-012	12mm	520-020	20mm
520-005	5mm	520-013	13mm	520-021	21mm
520-006	6mm	520-014	14mm	520-022	22mm
520-007	7mm	520-015	15mm	520-023	23mm
520-008	8mm	520-016	16mm	520-024	24mm
520-009	9mm	520-017	17mm	520-025	25mm
520-010	10mm	520-018	18mm	520-026*	26mm



Tolerance

INCH	
Size Range	T.I.R.
3/64" - 25/64"	0.0007
13/32" - 1.1/8"	0.0011

METRIC	
Size Range	T.I.R.
3 to 10mm	0.0007
11 to 26mm	0.0011



Accessories:



5C Collet Stops
Page 131



5C Collet Blocks
Page 131



5C Collet Rack
Page 131



5C Collet Wrench
Page 131