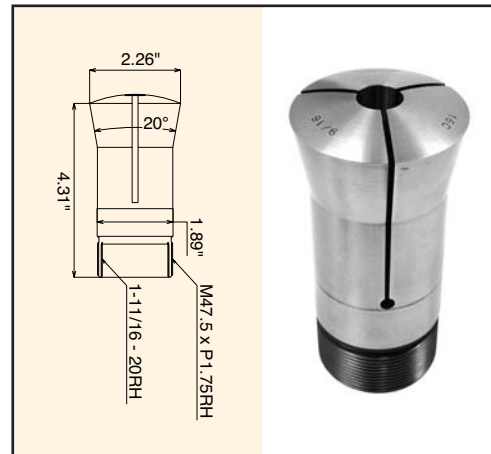


16C Collets

All 16C collets have external and internal threads.

16C Round Collets

INCH			
Part Number	Size	Part Number	Size
160-004	1/16"	160-041	41/64"
160-005	5/64"	160-042	21/32"
160-006	3/32"	160-043	43/64"
160-007	7/64"	160-044	11/16"
160-008	1/8"	160-045	45/64"
160-009	9/64"	160-046	23/32"
160-010	5/32"	160-047	47/64"
160-011	11/64"	160-048	3/4"
160-012	3/16"	160-049	49/64"
160-013	13/64"	160-050	25/32"
160-014	7/32"	160-051	51/64"
160-015	15/64"	160-052	13/16"
160-016	1/4"	160-053	53/64"
160-017	17/64"	160-054	27/32"
160-018	9/32"	160-055	55/64"
160-019	19/64"	160-056	7/8"
160-020	5/16"	160-057	57/64"
160-021	21/64"	160-058	29/32"
160-022	11/32"	160-059	59/64"
160-023	23/64"	160-060	15/16"
160-024	3/8"	160-061	61/64"
160-025	25/64"	160-062	31/32"
160-026	13/32"	160-063	63/64"
160-027	27/64"	160-064	1"
160-028	7/16"	160-068	1-1/16"
160-029	29/64"	160-072	1-1/8"
160-030	15/32"	160-076	1-3/16"
160-031	31/64"	160-080	1-1/4"
160-032	1/2"	160-084	1-5/16"
160-033	33/64"	160-088	1-3/8"
160-034	17/32"	160-092	1-7/16"
160-035	35/64"	160-096	1-1/2"
160-036	9/16"	160-100	1-9/16"
160-037	37/64"	160-104	1-5/8"
160-038	19/32"	166-001S	Steel Emergency Collet has 1/16" pilot hole and hardened threads.
160-039	39/64"		
160-040	5/8"		



Tolerance

Size Range	T.i.R.
3/64" - 25/64"	0.0007
13/32" - 1.1/8"	0.0011

16C Collet Set

Part Number	Size	Set Configuration
160-008S	8 Piece 16C Collet set	1/8" - 1" by 8ths
160-018S	18 Piece 16C Collet se	1/16" - 1.1/16" by 16ths
160-029S	29 Piece 16C Collet sett	1/8" - 1" by 32nds